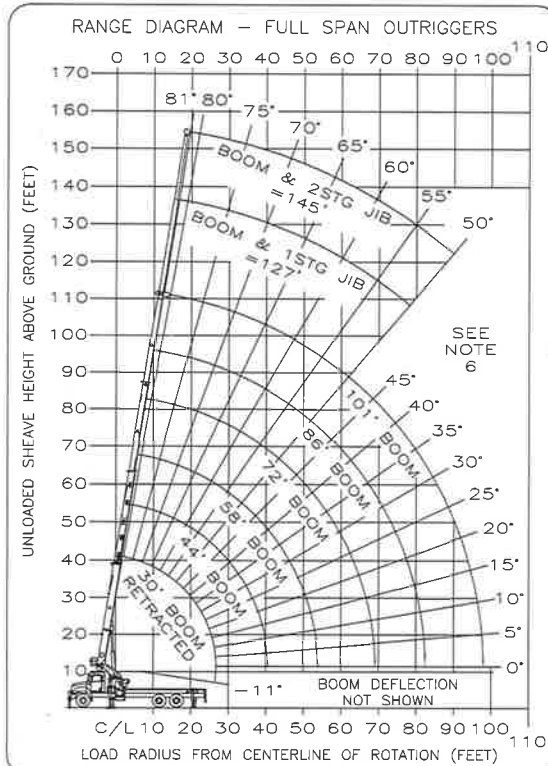




MODEL: AC30-101B

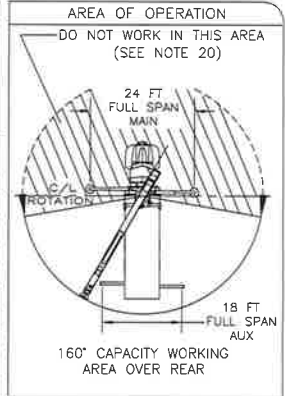


FULL SPAN OUTRIGGERS - REAR

BOOM LOAD CAPACITIES IN LBS. OVER REAR 160' WITH FULL SPAN OUTRIGGERS

LOAD RADIUS (FT)	30 FT BOOM		44 FT BOOM		58 FT BOOM		72 FT BOOM		86 FT BOOM		101 FT BOOM	
	∠	LBS	∠	LBS	∠	LBS	∠	LBS	∠	LBS	∠	LBS
5		80000										
8		47500	76	27000								
10	65	40800	74	27000	78	23600						
12	61	36000	71	27000	76	23600	79	22000				
14	56	30500	68	27000	74	23600	77	22000				
16	51	26000	65	25000	72	23600	75	22000	78	14500		
18	46	22500	62	24000	69	23600	74	22000	76	14500		
20	40	20000	59	21200	67	21300	72	20400	75	14500	77	10000
25	18	15000	51	16100	62	16300	68	16400	71	14500	74	10000
30			42	12800	56	13000	63	13100	68	13200	71	10000
35			31	10400	50	10600	59	10700	64	10800	68	9100
40			12	8500	43	8800	54	8900	61	9000	65	8000
45					35	7300	49	7500	57	7600	62	7100
50					24	6200	43	6400	52	6400	59	6400
55							37	5400	48	5500	55	5600
60							29	4600	43	4700	52	4800
65							19	3900	38	4000	48	4100
70									32	3400	44	3400
75									25	2800	40	3000
80									15	2400	35	2600
85											30	2200
90											23	1800
95											14	1500
100												
	0	12800	0	7200	0	4600	0	3100	0	2000	0	1000
		850		600		450		350		300		250

NOTE: RATINGS ABOVE THE HEAVY LINE ARE BASED ON STRUCTURAL COMPETENCE AND NOT ON MACHINE STABILITY



DEDUCTIONS FROM RATED LOADS FOR HANDLING DEVICES

OVERHAUL BALL: 180 LBS

1-SHEAVE LOADBLOCK: 230 LBS

2-SHEAVE LOADBLOCK: 365 LBS

10' BOOM CAPACITIES

STOWED JIB LOAD DEDUCTIONS

DEPLOYED JIB LOAD CAPACITIES (LBS) FOR ALL BOOM LENGTHS

JIB CAPACITIES ARE FOR FULL SPAN OUTRIGGERS

LOADED BOOM ANGLE	50° *	55°	60°	65°	70°	75°	80°
RETRACTED 26 FT JIB	700	1400	1900	2500	3200	4400	4800
EXTENDED 44 FT JIB	500	900	1300	1700	2200	3000	3000

* DO NOT OPERATE JIB BELOW THIS ANGLE UNLESS BOOM IS FULLY RETRACTED. SEE NOTE 6.

990845354 F (SHEET 1)

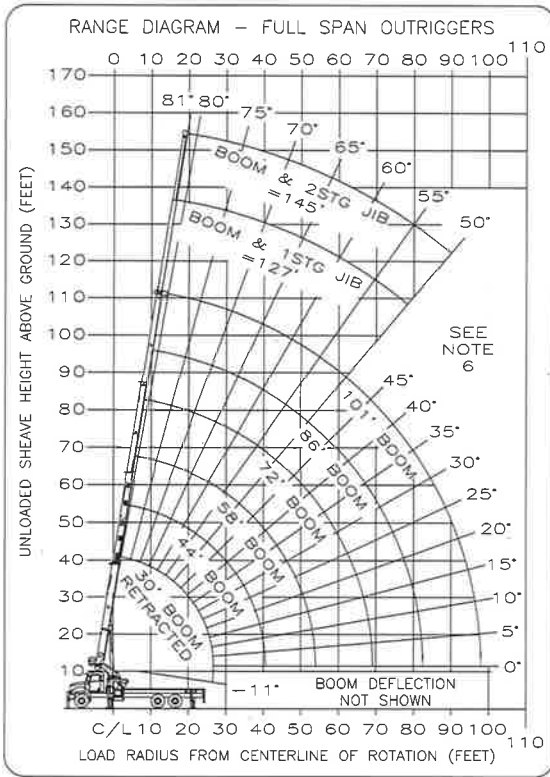
APPROVED

DEC 17 2020

THE CITY OF NEW YORK
DEPARTMENT OF BUILDINGS
DIVISION OF CRANES AND DERRICKS



MODEL: AC30-101B



FULL SPAN OUTRIGGERS
- FRONT

BOOM LOAD CAPACITIES IN LBS. OVER FRONT 200' WITH FULL SPAN OUTRIGGERS

LOAD RADIUS (FT)	30 FT BOOM		44 FT BOOM		58 FT BOOM		72 FT BOOM		86 FT BOOM		101 FT BOOM	
	∠	LBS	∠	LBS	∠	LBS	∠	LBS	∠	LBS	∠	LBS
5	76	60000										
8	70	47500	76	27000								
10	65	40800	74	27000	78	23600						
12	61	36000	71	27000	76	23600	79	22000				
14	56	30500	68	27000	74	23600	77	22000				
16	51	26000	65	25000	72	23600	75	22000	78	14500		
18	46	22500	62	24000	69	23600	74	22000	76	14500		
20	40	20000	59	21200	67	21300	72	20400	75	14500		10000
25	18	15000	51	16100	62	16300	68	16400	71	14500	74	10000
30			42	12800	56	13000	63	13100	68	13200	71	10000
35			31	10400	50	10600	59	10700	64	10800	68	9100
40			12	7800	43	8300	54	8500	61	8700	65	8000
45					35	6600	49	6800	57	7000	62	7100
50					24	5300	43	5600	52	5750	59	5900
55							37	4600	48	4800	55	4900
60							29	3800	43	3950	52	4100
65							19	3100	38	3250	48	3400
70									32	2700	44	2850
75									25	2250	40	2400
80									15	1800	35	2000
85											30	1600
90											23	1300
95											14	1000
100												
	0	12800	0	7200	0	4200	0	2600	0	1600	0	750
		850		600		450		350		300		250

NOTE: RATINGS ABOVE THE HEAVY LINE ARE BASED ON STRUCTURAL COMPETENCE AND NOT ON MACHINE STABILITY

AREA OF OPERATION

DO NOT WORK IN THIS AREA WITHOUT FRONT BUMPER OUTRIGGER DEPLOYED

24 FT FULL SPAN MAIN

18 FT FULL SPAN AUX

200' CAPACITY WORKING AREA OVER FRONT, AVAILABLE ONLY WITH FRONT BUMPER OUTRIGGER

DEDUCTIONS FROM RATED LOADS FOR HANDLING DEVICES

OVERHAUL BALL: 180 LBS

1-SHEAVE LOADBLOCK: 230 LBS

2-SHEAVE LOADBLOCK: 365 LBS

0-0° BOOM CAPACITIES

0-20° STOWED JIB LOAD DEDUCTIONS

DEPLOYED JIB LOAD CAPACITIES (LBS) FOR ALL BOOM LENGTHS
JIB CAPACITIES ARE FOR FULL SPAN OUTRIGGERS

LOADED BOOM ANGLE	50° *	55°	60°	65°	70°	75°	80°
RETRACTED 26 FT JIB	700	1400	1900	2500	3200	4400	4800
EXTENDED 44 FT JIB	500	900	1300	1700	2200	3000	3000

* DO NOT OPERATE JIB BELOW THIS ANGLE UNLESS BOOM IS FULLY RETRACTED. SEE NOTE 6. 990845354 F (SHEET 2)

APPROVED

CM 1036

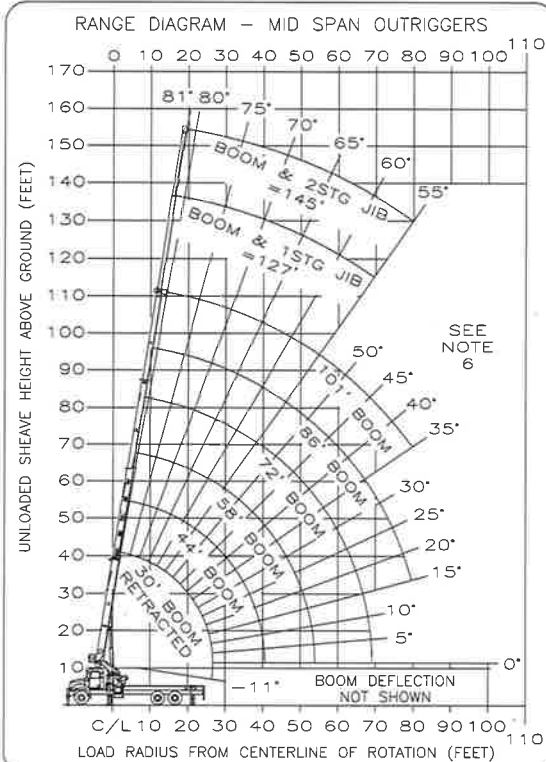
DEC 14 2020

Page 3 of 7

THE CITY OF NEW YORK
DEPARTMENT OF BUILDINGS
DIVISION OF CRANES AND DERRICKS



MODEL: AC30-101B



BOOM LOAD CAPACITIES IN LBS. WITH MID SPAN OUTRIGGERS

LOAD RADIUS (FT)	30 FT BOOM		44 FT BOOM		58 FT BOOM		72 FT BOOM		86 FT BOOM		101 FT BOOM	
	∠	LBS	∠	LBS	∠	LBS	∠	LBS	∠	LBS	∠	LBS
5	76	60000										
8	70	47500	76	27000								
10	65	40800	74	27000	78	23600						
12	61	36000	71	27000	76	23600	79	22000				
14	56	30500	68	27000	74	23600	77	22000				
16	51	26000	65	25000	72	23600	75	22000	78	14500		
18	46	22500	62	23500	69	23600	74	22000	76	14500		
20	40	18000	59	19100	67	19500	72	20400	75	14500	77	10000
25	18	11400	51	12500	62	12800	68	13400	71	13500	74	10000
30			42	8700	56	9200	63	9500	68	9600	71	9700
35			31	6200	50	6700	59	7100	64	7200	68	7200
40			12	4600	43	5100	54	5400	61	5500	65	5600
45					35	3900	49	4200	57	4300	62	4400
50					24	3000	43	3300	52	3400	59	3400
55							37	2600	48	2700	55	2700
60							29	2000	43	2100	52	2100
65							19	1500	38	1600	48	1700
70									32	1200	44	1300
75									25	900	40	900
80									15	500	35	600
85												
90												
95												
100												
	0	9700	0	4300	0	2200	0	1100	SEE NOTE 9			
		850		600		450		350	300	250	CUSTOMER JIB LOAD DEDUCTIONS	

NOTE: RATINGS ABOVE THE HEAVY LINE ARE BASED ON STRUCTURAL COMPETENCE AND NOT ON MACHINE STABILITY

AREA OF OPERATION

DO NOT WORK IN THIS AREA WITHOUT FRONT BUMPER OUTRIGGER DEPLOYED

360° CAPACITY WORKING AREA AVAILABLE ONLY WITH FRONT BUMPER OUTRIGGER

DEDUCTIONS FROM RATED LOADS FOR HANDLING DEVICES

OVERHAUL BALL: 180 LBS

1-SHEAVE LOADBLOCK: 230 LBS

2-SHEAVE LOADBLOCK: 365 LBS

DEPLOYED JIB LOAD CAPACITIES (LBS) FOR ALL BOOM LENGTHS

JIB CAPACITIES ARE FOR MID SPAN OUTRIGGERS

LOADED BOOM ANGLE	55° *	60°	65°	70°	75°	80°
RETRACTED 26 FT JIB	600	1200	2100	3200	4400	4800
EXTENDED 44 FT JIB	400	1000	1700	2200	3000	3000

* DO NOT OPERATE JIB BELOW THIS ANGLE UNLESS BOOM IS FULLY RETRACTED. SEE NOTE 6.

990845354 F (SHEET 3)

MID SPAN OUTRIGGERS

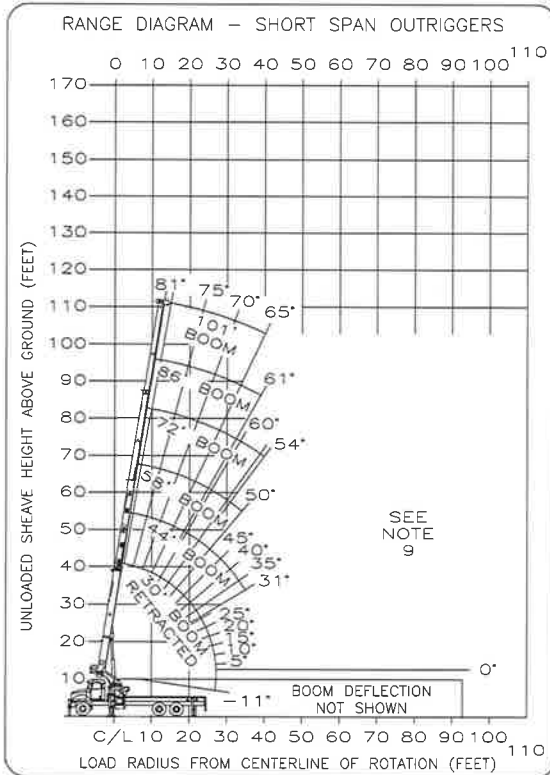
APPROVED

DEC 14 2020

THE CITY OF NEW YORK
DEPARTMENT OF BUILDINGS
DIVISION OF CRANES AND DERRICKS



MODEL: AC30-101B



BOOM LOAD CAPACITIES IN LBS. WITH SHORT SPAN OUTRIGGERS

LOAD RADIUS (FT)	30 FT BOOM (LBS)	44 FT BOOM (LBS)	58 FT BOOM (LBS)	72 FT BOOM (LBS)	86 FT BOOM (LBS)	101 FT BOOM (LBS)
5	76 60000					
8	70 33200	76 27000				
10	65 19800	74 20500	78 20800			
12	61 13400	71 14100	78 14400	79 14600		
14	57 10000	68 10500	74 10800	77 10900		
16	52 7600	66 8100	72 8300	75 8500	78 8600	
18	47 5900	63 6400	69 6600	74 6700	76 6800	
20	41 4600	60 5100	68 5300	72 5500	75 5600	77 5600
25	22 2500	51 3000	62 3200	68 3300	72 3400	74 3500
30		42 1700	56 1900	63 2000	68 2100	71 2200
35		31 800	50 1000	59 1200	64 1200	68 1300
40				54 500	61 600	65 700
45	NOTE: RATINGS ABOVE THE HEAVY LINE ARE BASED ON STRUCTURAL COMPETENCE AND NOT ON MACHINE STABILITY					
50						
55						
60						
	0 1800	SEE NOTE 9				300
	900	650	500	400	350	300

DEPLOYED JIB LOAD CAPACITIES (LBS) FOR ALL BOOM LENGTHS
JIB CAPACITIES ARE FOR SHORT SPAN OUTRIGGERS

LOADED BOOM ANGLE

RETRACTED 26 FT JIB

EXTENDED 44 FT JIB

DO NOT OPERATE OR ERECT JIBS IN THIS OUTRIGGER CONFIGURATION. SEE NOTE 19.

AREA OF OPERATION

DO NOT WORK IN THIS AREA WITHOUT FRONT BUMPER OUTRIGGER DEPLOYED

360° CAPACITY WORKING AREA AVAILABLE ONLY WITH FRONT BUMPER OUTRIGGER

DEDUCTIONS FROM RATED LOADS FOR HANDLING DEVICES

OVERHAUL BALL: 180 LBS

1-SHEAVE LOADBLOCK: 230 LBS

2-SHEAVE LOADBLOCK: 365 LBS

0° BOOM CAPACITIES

STOWED JIB LOAD DEDUCTIONS

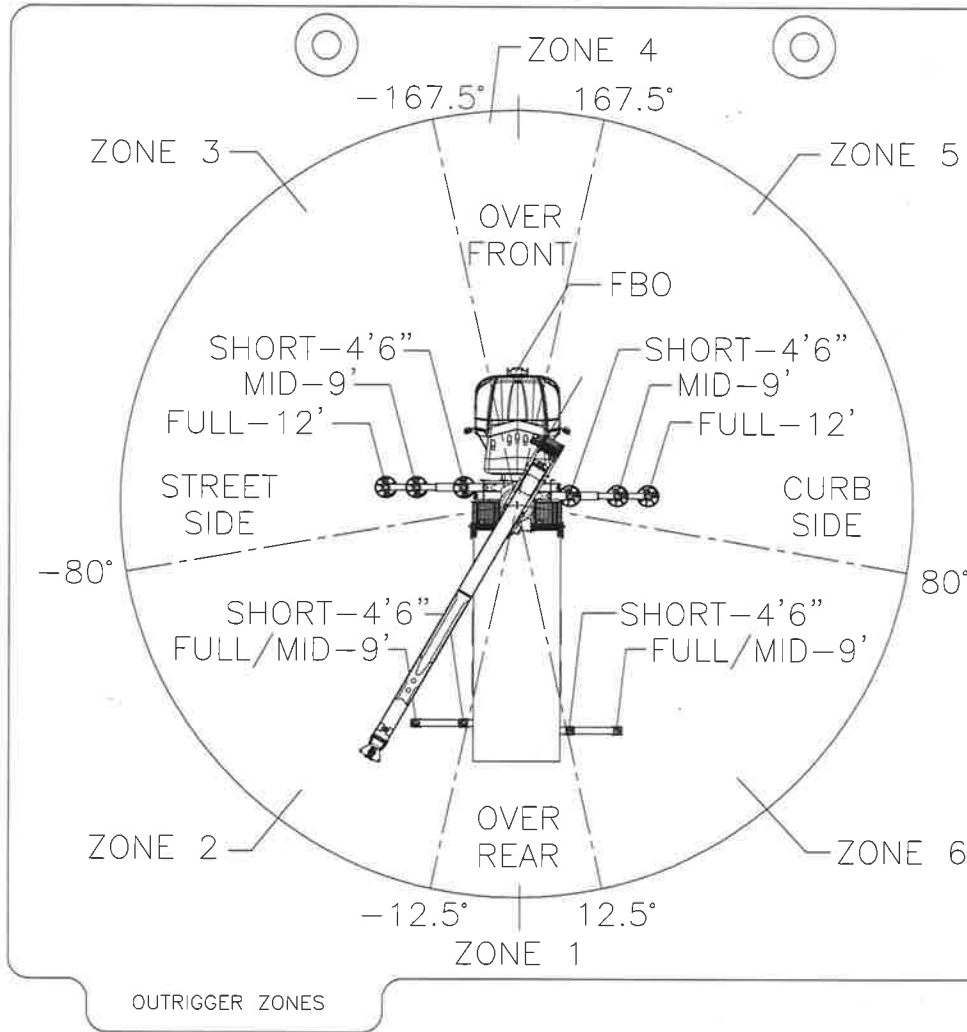
990845354 F (SHEET 4)

SHORT SPAN OUTRIGGERS

APPROVED

DEC 14 2020

CP1036
THE CITY OF NEW YORK
DEPARTMENT OF BUILDINGS
DIVISION OF CRANES AND DERRICKS
577



DETERMINING ZONE CAPACITIES

- Capacity in Zone 1 is equal to the greater of Zone 6 or Zone 2 capacity when both auxiliary outrigger beams are fully extended.
- Capacity in Zone 1 is short capacity if either auxiliary outrigger beam extension is at short span.
- Capacity in Zone 2 is determined by the main outrigger beam extension on the street side when the street side auxiliary outrigger beam is fully extended.
- Capacity in Zone 2 is short capacity if the auxiliary outrigger beam on the street side is extended to short span.
- Capacity in Zone 3 is determined by the main outrigger beam extension on the street side when the street side auxiliary outrigger beam is fully extended and the front bumper outrigger is deployed.
- Capacity in Zone 3 is short capacity if the auxiliary outrigger beam on the street side is extended to short span and the front bumper outrigger is deployed.
- Zone 3 has no capacity if the front bumper outrigger is not deployed.
- Capacity in Zone 4 is equal to the lesser of Zone 3 or Zone 5 capacity when the front bumper outrigger is deployed.
- Zone 4 has no capacity if the front bumper outrigger is not deployed.
- Capacity in Zone 5 is determined by the main outrigger beam extension on the curb side when the curb side auxiliary outrigger beam is fully extended and the front bumper outrigger is deployed.
- Capacity in Zone 5 is short capacity if the auxiliary outrigger beam on the curb side is extended to short span and the front bumper outrigger is deployed.
- Zone 5 has no capacity if the front bumper outrigger is not deployed.
- Capacity in Zone 6 is determined by the main outrigger beam extension on the curb side when the curb side auxiliary outrigger beam is fully extended.
- Capacity in Zone 6 is short capacity if the auxiliary outrigger beam on the curb side is extended to short span.

990845354 F
(SHEET 5)

APPROVED

DEC 14 2020 *CD1036*

MW THE CITY OF NEW YORK
DEPARTMENT OF BUILDINGS
DIVISION OF CRANES AND DERRICKS *8/7*